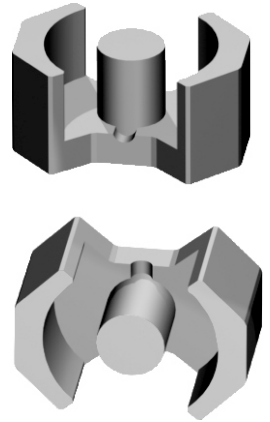
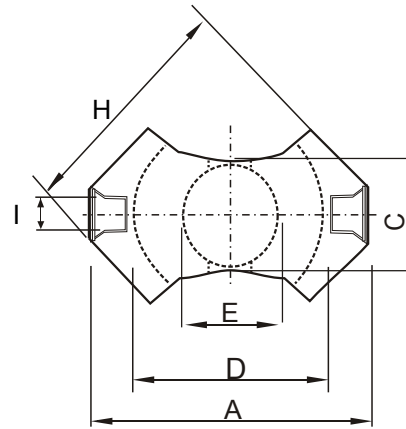
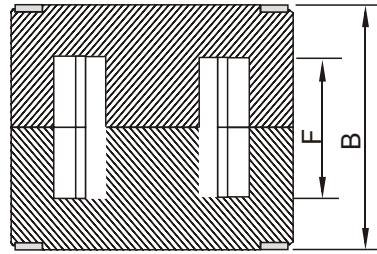


Dimension: (UNIT:mm)

A	19.9 ± 0.4
B	13.4 ± 0.1
C	7.1 ± 0.25
D	15.05 ± 0.3
E	7.1 ± 0.15
F	8.65 ± 0.25
H	16.85 ± 0.35
I	3.3±0.1



Test conditions

AL: F=10.0KHz U=0.3V N=10Ts

Effective parameter

C1(mm) ⁻¹	Ae(mm ²)	Le(mm)	Ve(mm ³)	Weight(g)
0.68	44.1	30.0	1325	≈7.5

Core sets for general purpose transformers and Power applications.

Clamping force for Al measurements, 40+/-20N.

Grade	AL (nH)	μe	AIR GAP μm	Type number
P3	100±3%	≈54	≈730	RM7-P3
	160±3%	≈87	≈410	RM7-P3
	250±3%	≈135	≈240	RM7-P3
	3000±25%	≈1620	≈0	RM7-P3
HQ2K	100±3%	≈54	≈730	RM7-HQ2K
	160±3%	≈87	≈410	RM7-HQ2K
	250±3%	≈135	≈240	RM7-HQ2K
	2500±25%	≈1350	≈0	RM7-HQ2K

Properties of core sets under power conditions

Grade	B (mT) at		Core loss (w) at	
	H=250 A/m F=25KHz T=100°C	F=25 KHz B=200mT T=100°C	f=100 KHz B=100mT T=100°C	F=400 KHz B=50mT T=100°C
P3	≥320	≤0.16	≤0.17	-
HQ2K	≥315	-	≤0.15	≤0.25

Note:

- 1: Document is the property of FUAN Inc & is not allow to be duplicated without authorization
- 2: RoHS compliant.